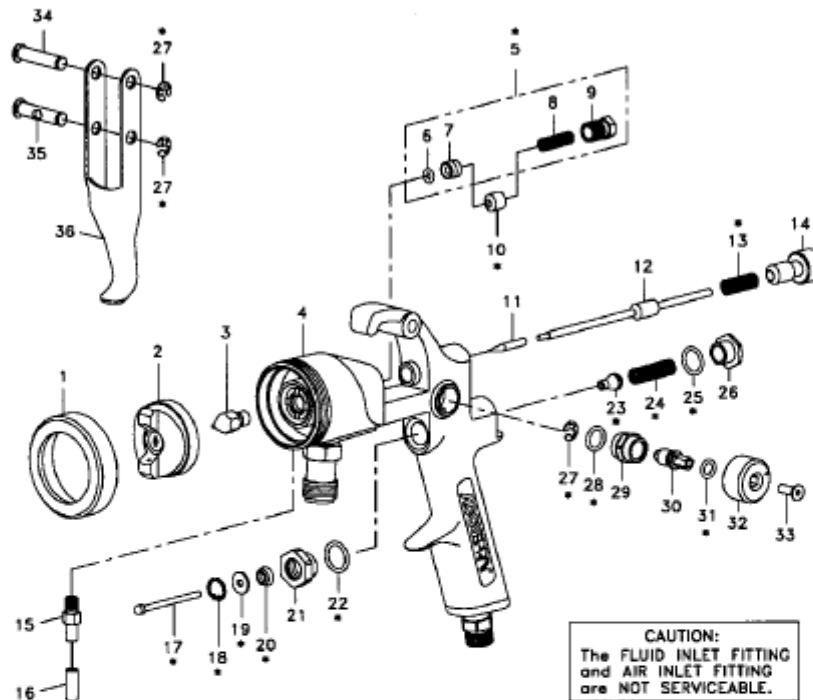


## 19 Series Hand Gun – Parts Identification



ITEM	PART No.	DESCRIPTION
1	91-043	RETAINING RING
2	91-071-xx	AIR CAP
3	91-008-xx	FLUID NOZZLE
4	98-018	SPRAYGUN SUB-ASSEMBLY
5	91-200	SELF-ADJUSTING PACKING KIT
6	UH-1405/10	O-RING (PACK OF 10)
7	91-202/2	NEEDLE GUIDE (PACK OF 2)
8	91-199/3	COMPRESSION SPRING (PACK OF 3)
9	91-201	PACKING NUT
10	98-016	SPACER
11	91-107-xxx/4	NEEDLE TIP (PACK OF 4)
12	98-009	NEEDLE SHAFT
13	LG-27/5	SPRING (PACK OF 5)
14	97-023	ADJUSTMENT SCREW
15	LFG-465	AIR PRESSURE STEM
16	91-109/10	AIR PRESSURE STEM CAP (PACK OF 10)
17	97-155	VALVE STEM ASSEMBLY
18	UH-1107/10	SNAP RING (PACK OF 10)
19	97-026/5	SPACER (PACK OF 5)

ITEM	PART No.	DESCRIPTION
20	97-027	LIP SEAL
21	97-029	SEAL HOUSING
22	UH-842/3	O-RING (PACK OF 3)
23	97-056	VALVE SEAT
24	97-032	VALVE SPRING
25	UH-1106/5	O-RING (PACK OF 5)
26	97-034	VALVE CAP
27	UH-1108/3	E-CLIP (PACK OF 3)
28	UH-647/10	O-RING (PACK OF 10)
29	97-043	FAN AIR HOUSING
30	97-041	VALVE STEM
31	UH-1111/5	O-RING (PACK OF 5)
32	97-040	FAN AIR KNOB
33	UH-831/6	SCREW (PACK OF 6)
34	97-038	TRIGGER PIVOT PIN ASSEMBLY
35	97-037	TRIGGER PIN ASSEMBLY
36	97-036	TRIGGER
*	98-049	SPRAYGUN REBUILD KIT